

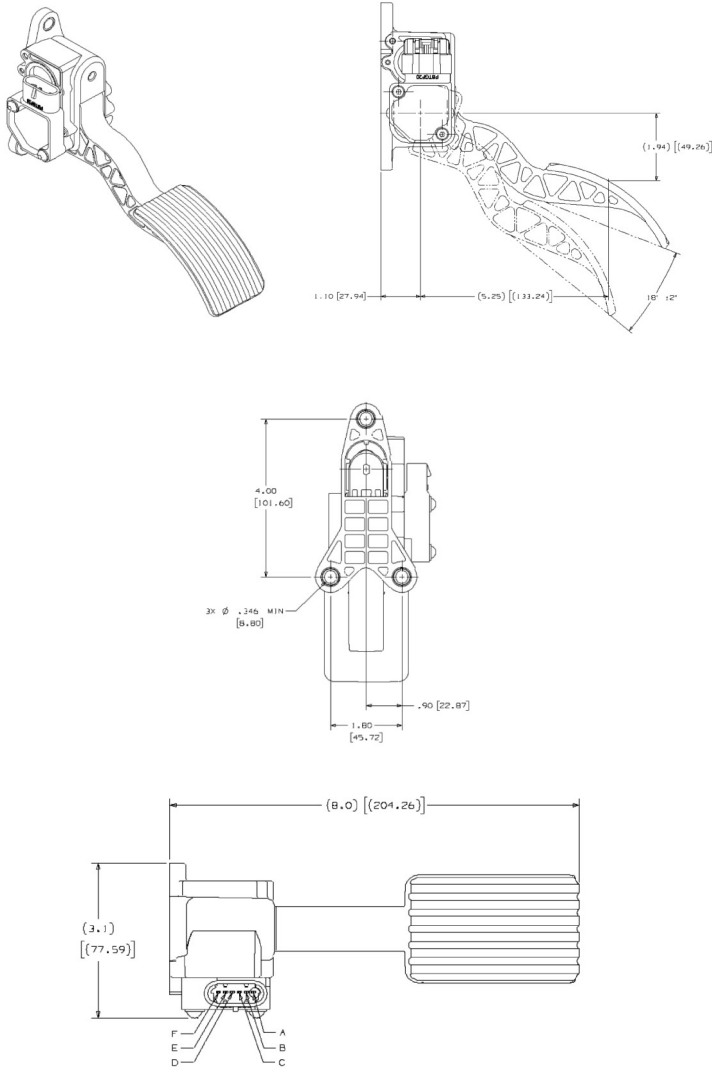


ORSCHELN®

Orscheln Products Electronic Throttle Controls



Orscheln Products Global Suspended Electronic Throttle pedal is designed for ease of installation and flexibility for ergonomic positioning and mounting per a customer’s specifications. The fully polymer pedal is adaptable for a wide range of electronic throttle applications requiring a robust, durable design. The pedal also provides smooth driver operation and features a durable, longer-life programmable Hall Effect sensor. Quality testing ensures reliability and durability.



Specifications for Orscheln Electronic Foot Pedal

Functional

Actuation Force applied perpendicular to the pedal pad surface and at a point 5.6 inches (142mm) from the centerline of the pivot access.

Initial Movement	> 2 lbs. (9 N)
Full Throttle	< 8 lbs. (35 N)
Rotational Angle	16-20°

Weight

Weight of Pedal	0.7 lbs. (.32 Kg)
-----------------	-------------------

Validation

Full Stroke Cycles	10 Million
Fully Environmentally Tested	
EMC Tested to 150 V/m	
100% End-of-the-Line Testing on All Assemblies	

Electrical Specifications

Programmable Hall Effect Sensor	
Dual Analog or PWM	