

   
check » shift » accelerate » park

Markets

TRUCK



BUS



CONSTRUCTION



AGRICULTURE



MILITARY



Products

PARK BRAKE SYSTEMS



MECHANICAL CONTROL CABLES



FLUID LEVEL INDICATORS



ELECTRONIC THROTTLE CONTROL SYSTEMS



SHIFT CONTROL SYSTEMS



Orscheln Products LLC
 1177 N. Morley St.
 P.O. Box 280
 Moberly, MO 65270
 USA
 Phone: +1 660-263-4377
 Fax: +1 660-269-3910
 Email: sales@orscheln.com
 www.orschelnproducts.com

Orscheln Europe
 Unit 1 Pelham Road
 Central Park, Rugby,
 England CV23 0PB
 Phone: +44 (0) 1788 561400
 Fax: +44 (0) 1788 567555
 Email: sales@orschelneurope.co.uk
 www.orschelneurope.co.uk

Orscheln China
 1447/1090 Century Avenue
 Suncome Cinic Tower
 Pudong, Shanghai 200120
 China
 Phone: +86 021 22157766
 Fax: +86 021 22157889
 Email: sales@orschelnchina.com.cn
 www.orschelnproducts.com

Orscheln India
 Plot No. 28, North Phase
 SIDCO Industrial Estate
 Ambattur, Chennai 600098
 Phone: +91 44 42896850
 Fax: +91 44 42896859
 Email: sales@orschelnindia.co.in
 www.orschelnindia.co.in

Over 110 F.A.S.T.* cable assembly distributors worldwide

Specifications subject to change without notice.



FLICAT1214

Fluid Level Indicators



Delivering Global Solutions for Fluid Level Indicators



Custom End Fittings—
Plastic-to-Metal Combination



Formed Metal Tubing



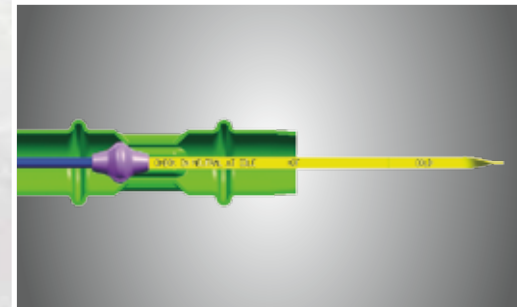
Customer-specific
blade & markings



The Twist2Lock™ Fluid Level Indicator design accommodates check, check/fill, or fill-only applications for medium and heavy-duty engines and transmissions. The unit is manufactured as a complete system and can be customized to meet the customer's requirements.

- Fully calibrated system, not just parts
- Repeatable accuracy available in checking engines and transmissions
- Design eliminates oil leakage "blow-by" at cap and at engine block
- Locking cap eliminates loose or lost sticks caused by vibration
- Color options available
- Up to 2" tube bending capability
- One-stop shop for all your FLI needs
- Tier one solution source for the world's top engine and chassis builders
- In-house design, engineering, DVP&R
- Over five million units in the field and growing
- More than dipsticks, FLIs are a system

Self-Gauging Feature



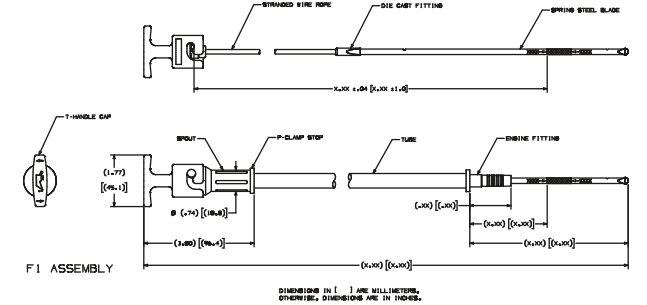
Optional Orscheln Products patented self-gauging feature ensures consistent and accurate fluid level readings for large tubes and complex tube routings.
US Patent 7134220, EU Patents Pending.



F1 Series

Application: Engine Oil Check
Tube Materials: Polymer or Metal
. (Based on temperature in routing)
Tube Sizes: 3/8", 12mm, 1/2", 15mm O.D.
Handle Options: "T" Handle

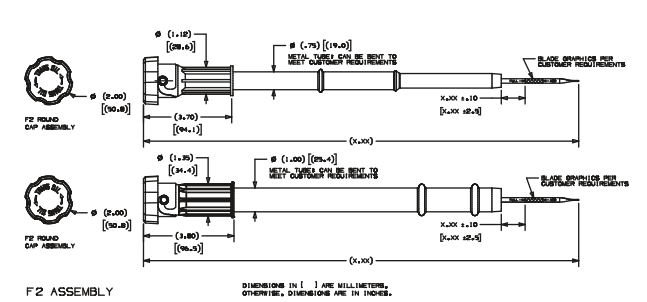
Typical Assembly



F2 Series

Application: Engine Oil & Transmission Fluid Check/Fill
Tube Materials: Polymer or Metal
. (Based on temperature in routing)
Tube Sizes: 1/2", 5/8", 3/4", 1" O.D.
Handle Options: "T" Handle or Round Cap

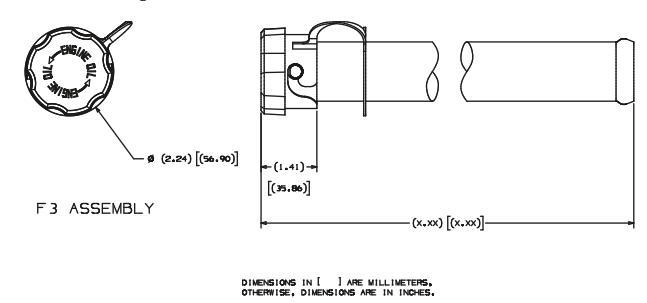
Typical Assembly



F3 Series

Application: Engine Oil Check/Fill
Tube Materials: Metal
Tube Sizes: 1 1/2" O.D.
Handle Options: Round Cap

Typical Assembly



F4 Series

Application: Engine Oil Fill
Tube Materials: Metal
Tube Sizes: 1", 1 1/2", 1 5/8" O.D.
Handle Options: Round Cap

Typical Assembly

