

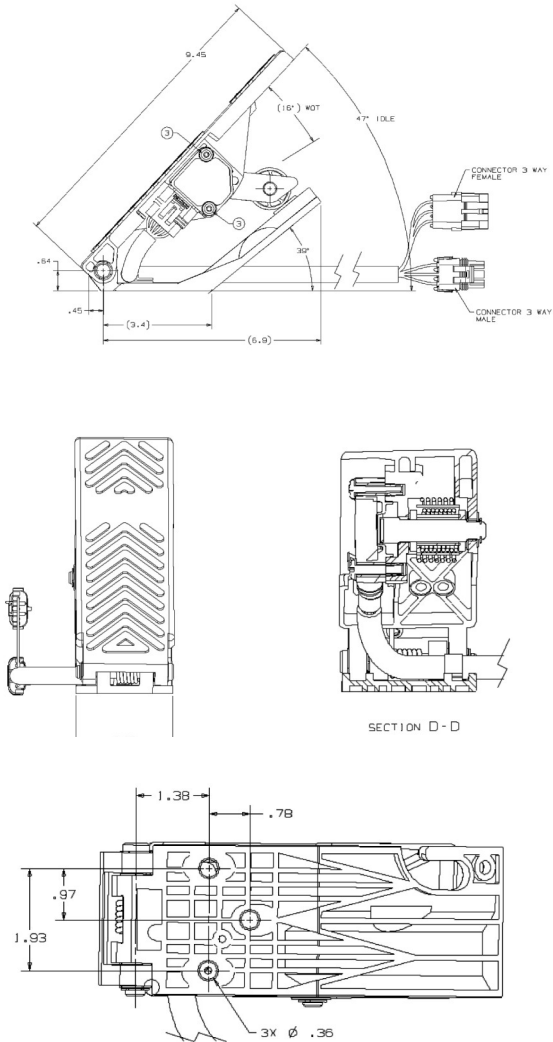


ORSCHELN®

Orscheln Products Electronic Throttle Controls



Orscheln Products Electronic Throttle Pedals deliver a precise signal that interacts with the engine’s electronic fuel management systems. The fast-reacting pedal provides smooth driver operation and features a durable, longer-life programmable Hall Effect sensor. Polymer components create a lightweight pedal, as much as half the weight of current pedals in the marketplace. Quality testing ensures reliability and durability.



Specifications for Orscheln Electronic Foot Pedal

Functional

Actuation Force applied perpendicular to the treadle surface and at a point 7.4 inches (160mm) from the centerline of the pivot access.

Initial Movement	> 2 lbs. (9 N)
Full Throttle	< 11.5 lbs. (51 N)
Rotational Angle	16-20°

Weight

Weight of Pedal	1.0 lbs. (.46 Kg)
-----------------	-------------------

Validation

- Full Stroke Cycles 10 Million
- Fully Environmentally Tested
- EMC Tested to 150 V/m
- 100% End-of-the-Line Testing on All Assemblies

Electrical Specifications

- Programmable Hall Effect Sensor
- Dual Analog or PWM